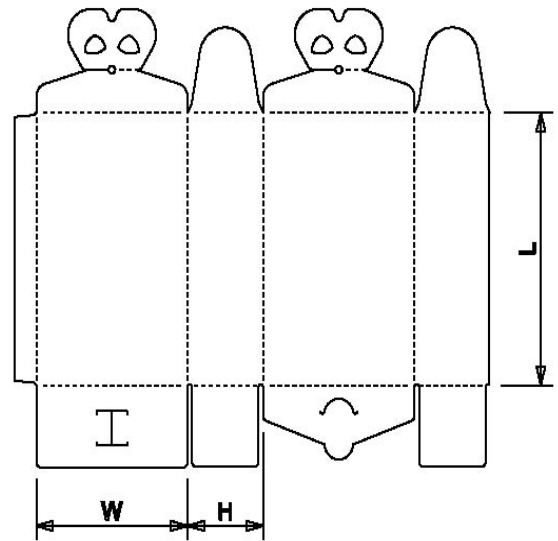


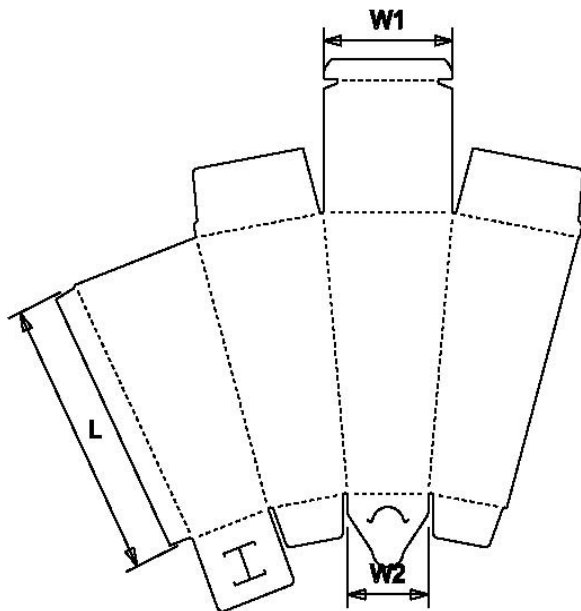
Dimension: $W \times L$

Style No: NO-21



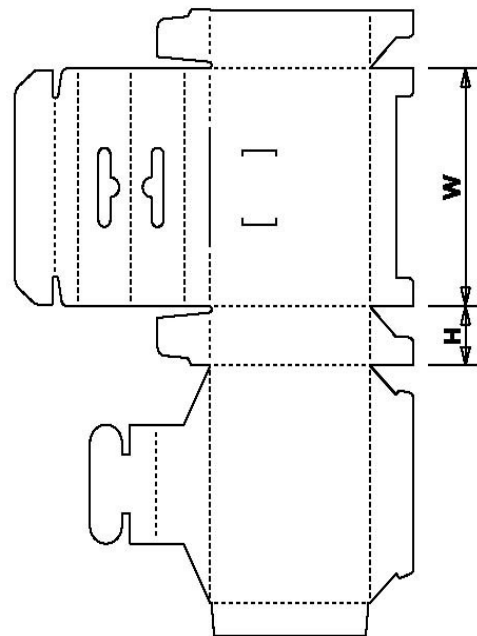
Dimension: $W \times H \times L$

Style No: NO-22



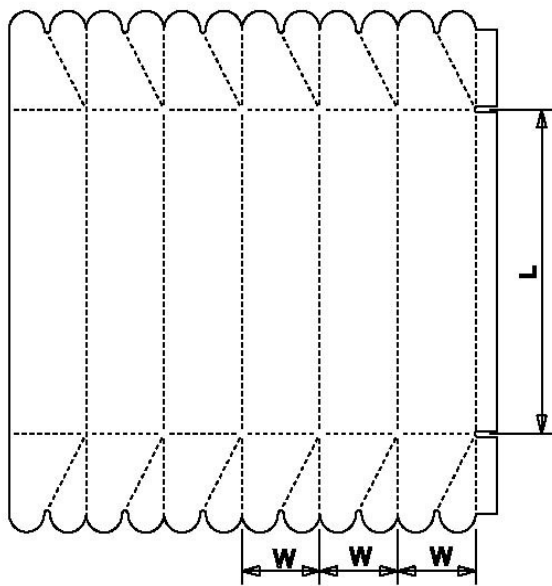
Dimension: $W1 \times W2 \times L$

Style No: NO-23



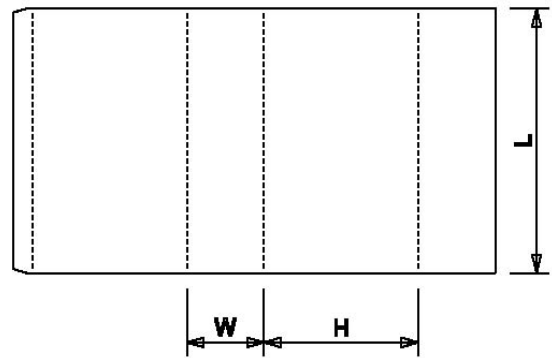
Dimension: $W \times H \times L$

Style No: NO-24



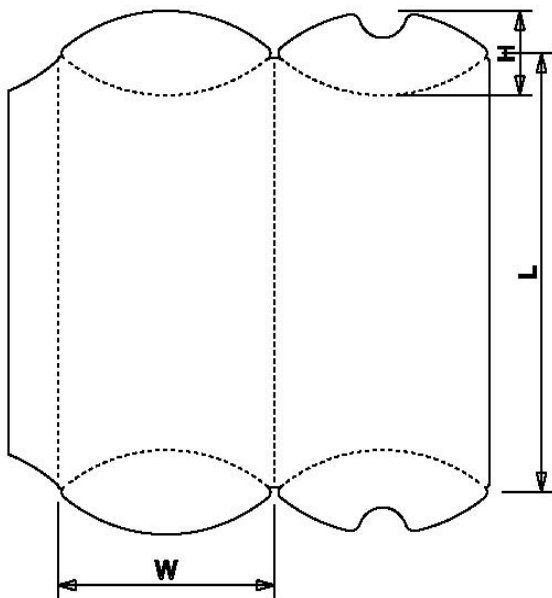
Dimension: $W \times L$

Style No: N0-25



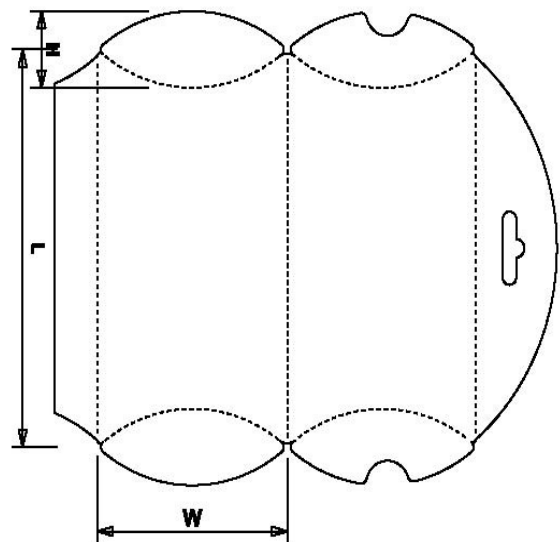
Dimension: $W \times H \times L$

Style No: N0-26



Dimension: $W \times H \times L$

Style NO: N0-27



Dimension: $W \times H \times L$

Style No: N0-28